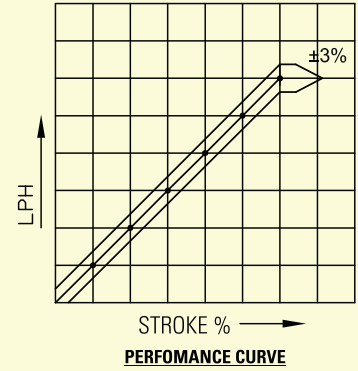




## Model: VHYD-03 Hydraulically Operated Diaphragm Type Dosing Pumps



### SELECTION CHART

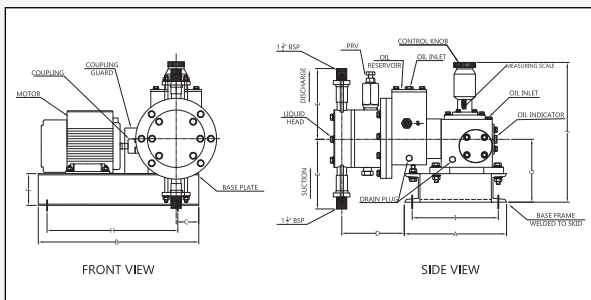
PUMP SPEED – 100 SPM (NOMINAL) GEAR RATIO 15:1 MOTOR 1500 RPM				PL. Dia mm	Max. Pr. Kg/cm <sup>2</sup>	PUMP SPEED – 100 SPM (NOMINAL) GEAR RATIO 8:1 MOTOR 1500 RPM			
Cap LPH	Suc. Del. mm NB/BSP	% OF Max. Pr.	Motor K.W.			Cap LPH	Suc. Del. mm NB/BSP	% OF Max. Pr.	Motor K.W.
59	15	100	1.5	20	200	119	15	0.75	
86	15			24	155	171	15		
152	25			32	87	304	25		
238	25	70	2.2	40	56	475	25	2.2	
342	25			48	39	684	40		
433	25			54	31	866	40		
571	25	40	1.1	62	23	1142	40	1.1	
627	40			65	21	1255	40		
770	40			72	17	1540	40		
1023	40	25	2.2	83	13	2046	40	2.2	
1203	40			90	11	2406	40		
1484	40			100	9	2968	40		

### MOC CHART

Sr. No.	Description	MOC	Sr. No.	Description	MOC
01	PLUNGER	EN 8	4	NRV SEALING RING	PTFE
02	LIQUID HEAD	SS304, SS316, ALLOY20, P.P, PVC, PTFE			
03	NON RETURN	SS304, SS316, ALLOY20, P.P, PVC, PTFE	5	NRV Balls	SS,PTFE, Glass, Ceramic

### FEATURE

- Multiple head pumps with common drive for mixing two or more liquid in a desired ratio. The ratio can be easily reset
- The design and performance of VHYD series pumps conforms to API675



### DIMENSIONS IN MM

A	B	C	D	E	F	G	H	I	J
530	625	103	220	215	75	208	470	490	540

**WEIGHT (App) : 150 Kg**  
**PACKING SIZE : 32 x 28 x 27 Inches**

