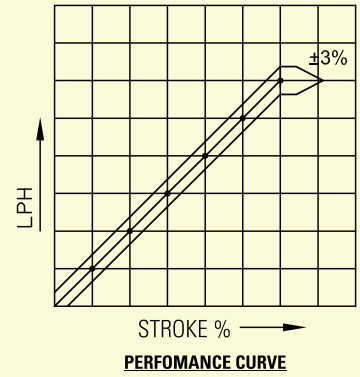


Model: VPL-01 Plunger Type Dosing Pumps



SELECTION CHART

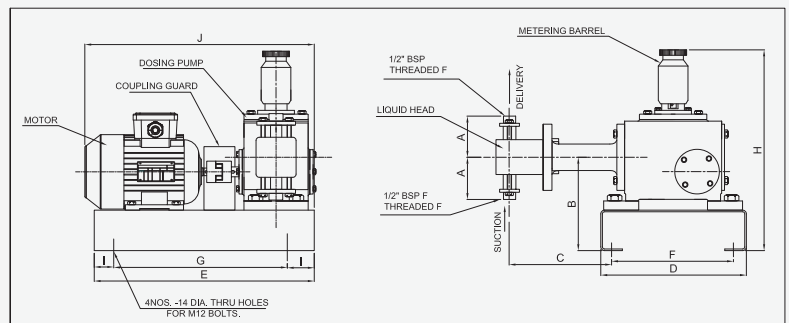
PUMP SPEED : 100 SPM/RATIO 15:1				PL. DIA	MODEL	MAX PRESS Kg/cm2	PUMP SPEED : 200 SPM/RATIO 8:1			POWER IN HP
POWER IN HP	% OF MAX PRESSURE POWER	SUCTION & DISCHARGE CONNECTION	CAP LPH				CAP LPH	SUCTION & DISCHARGE CONNECTION	% OF MAX PRESSURE POWER	
0.5	ALL	15 NB	1.5	06	VPL - 01	125	3	15 NB	ALL	0.5
		15 NB	2.7	08		125	5.3	15 NB		
		15 NB	4.2	010		120	8	15 NB		
		15 NB	6	012		110	12	15 NB		
		15 NB	8.3	014		100	16	15 NB		
		15 NB	11	016		94	21	15 NB		
		15 NB	13.5	018		75	27	15 NB		
		15 NB	17	020		60	33	15 NB		
		15 NB	24	024		50	48	15 NB		
		15 NB	33	028		32	66	15 NB		
		15 NB	43	032		25	86	15 NB		
		15 NB	55	036		20	109	15 NB		
		15 NB	68	040		15	135	15 NB		
		15 NB	82	044		12	164	15 NB		
		15 NB	106	050		10	212	15 NB/20 NB		

MOC CHART

Sr. No.	Description	MOC	Sr. No.	Description	MOC
01	PLUNGER	SS304, SS316, Alloy, CS & Other	01	PLUNGER RING	PTFE
02	LIQUID HEAD	SS304, SS316, Alloy, CS & Other			
03	THROUGHT BRUSH	SS304, SS316, Alloy, CS & Other	02	GLAND PACKING	PTFE
04	NON RETURN VALVE	SS304, SS316, Alloy, CS & Other	03	NRV BALLS	SS304, SS316, ALLOY

FEATURE

1. Precise metering Device.
2. Metering accuracy is independent of back pressure.
3. Plunger is hard chrome plated.
4. Flow rate is linear to stroke length variation.
5. Multiple head plunger pumps with common drive for mixing two or more liquids in a desired ratio.
6. Jacketed liquid heads can be heated by hot water / steam. Ability to transfer and dose products which are highly viscous at room temperature.
7. External arrangement for flushing the gland packing to increase its life is also possible.
8. Remote control facility is available.
9. Performance Conform to API 675 standard.



DIMENSIONS IN MM

A	B	C	D	E	F	G	H	I	J
75	164	124	211	350	165	250	320	50	425

WEIGHT (App) : 28 Kg • PACKING SIZE : 18 x16 x16 Inches

